

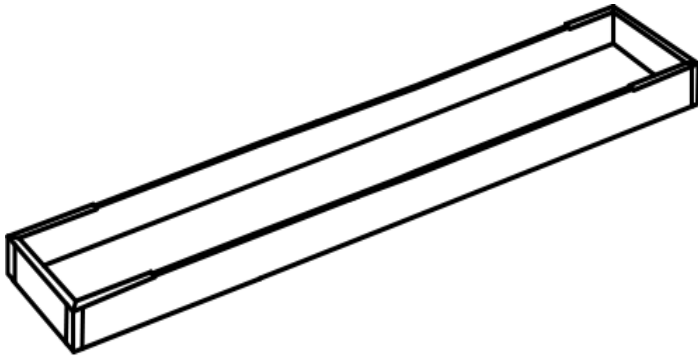
# Vicksberg Assembly Care and Maintenance Guide



## **McClure Tables Handcrafted Shuffleboard Guide**

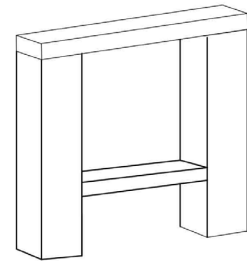
- How to level and adjust the board
- Care and maintenance tips
- Warranty Information
  
- Installation Instructions
  - Tables can be heavy we recommend 2 to 4 or more people for larger tables
  - Recommend power drill for uncrate or remove packing material
  - Most other assembly can be done with hand tools
  - Level or straight edge can be helpful.

# Vicksberg 12 foot Table Packing List



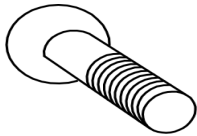
#1

1 Pcs Cabinet



#2

2 Legs



#3  
8 Pcs 5/16 x 1.5"  
Allen Bolt



#4  
8 Pcs 5/16 x 1" Allen  
Bolt and Washers



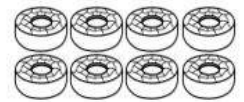
Pack of shims Leg  
Levelers



#5  
8 Pcs  
1.5" long  
5mm  
Pocket  
screws



Pair of Connection Turnbuckle Rods and Brackets



1 Pound Can of Wax  
4 Red Pucks  
4 Blue Pucks

## Assembly of the Legs and Cabinet

1. It may be easier to assemble the legs with the table upside down as shown below. Please make sure to lay down a blanket for protection or turn the table upside down on carpet.
2. Attach the legs with bolts and washers. Start each bolt by hand before tightening with a wrench.
  - a. Use 4 Bolts (#3) as shown.



**Sometimes carpet tabs are hard to find use the bolt to push up from bottom side of cabinet once you get up lift to put in the bolt and tighten then put carpet back in place. Usually it is under the playboard but two tabs maybe at end of table**



## Assembly of the legs into cabinet

\*After bolt legs in from the top through the carpet use Pocket screws #5 that will make the legs stronger and more stable.

1. On each leg we have four pocket holes insert wood screw and screw into legs to hold Secure into place
2. Now attach turnbuckle with the slotted plate on the bottom of the leg as shown below and the plate with round holes for attach to bottom of legs using bolts and washers #4

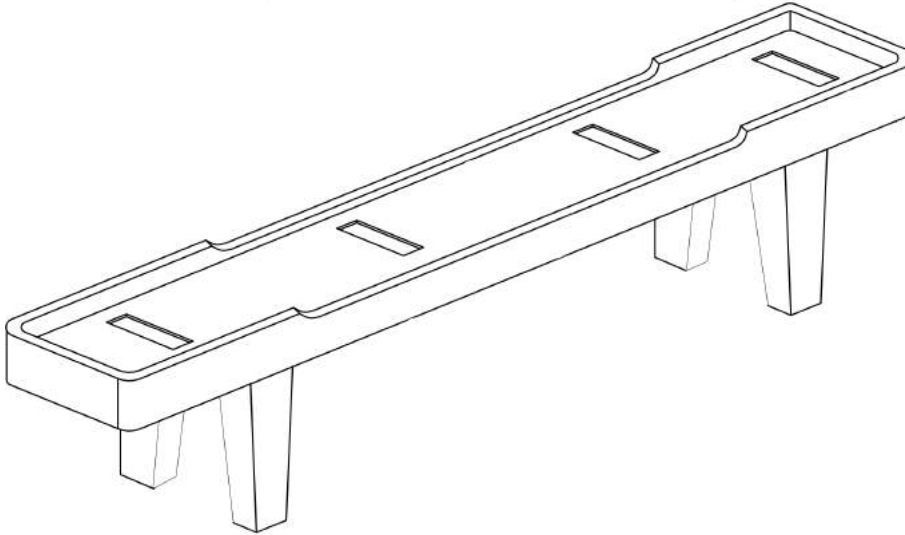


3. Now attach turnbuckle with the round hole plate on the bottom of the cabinet Using two of bolts #4 and washers



## Place the Cabinet in Position

1. Lift the cabinet into the upright position and place in the location in the room where you would like the table.
  - Take care not to put too much weight on the sides of the legs as you lift or roll the table over into the upright position.

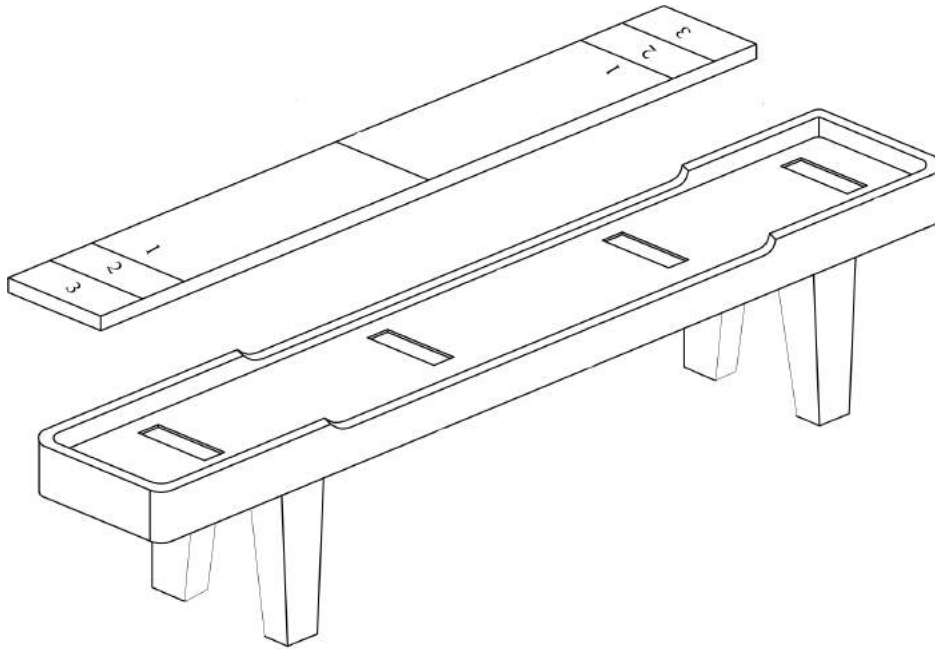


## Assembly of the Play-board into Cabinet

\*The weight of the play-board can be quite heavy, so we suggest 2 to 4 people.

2. On smaller boards or if you have plenty of help then you can follow Method A below.

\*Place board onto the cabinet. Be sure to lift the board high enough so that the climate adjusters do not hit the cabinet.



3. When working with larger boards or if you only have two people, we suggest following Method B below.

\*Place blankets or moving pads draped over one side of the cabinet and two pucks upside down on each end of the cabinet about 2" from where the end of the board is. Do not place them too far inside.

\*Roll the board over upside down and rest half on the blanket and side of the cabinet.

\*Roll the board on its edge inside the cabinet and carefully remove the blanket.

\*Roll the board over right side up and rest it on the pucks.

\*Have one person go under the table, and using the brackets as bars, bench press the end of the board while the other person removes the pucks.

