

Texan Assembly Care and Maintenance Guide

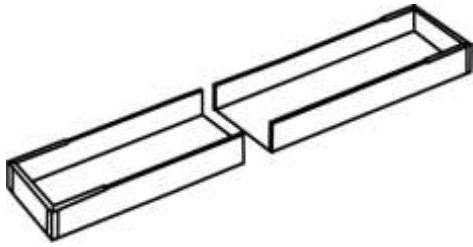


McClure Tables Handcrafted Shuffleboard Guide

- How to level and adjust the board
- Care and maintenance tips
- Warranty Information

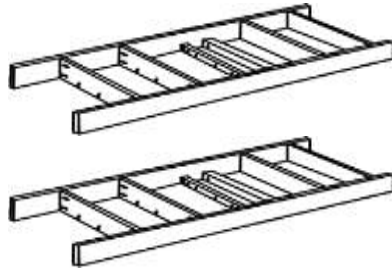
- Installation Instructions
 - Tables can be heavy we recommend 2 to 4 or more people for larger tables
 - Recommend power drill for uncrate or remove packing material
 - Most other assembly can be done with hand tools
 - Level or straight edge can be helpful.

Texan 14, 16 & 18 Foot Table Packing List



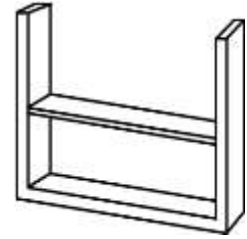
#1

2 Pcs Cabinet



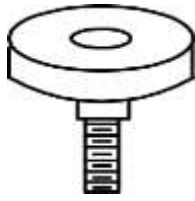
#2

2 Pcs Frame



#3

3 Legs



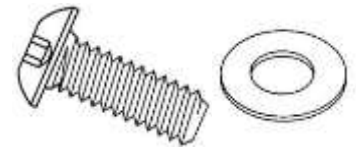
#3

6 Pcs Leg Levelers



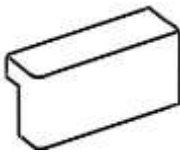
#5

6 Pcs 5/16 x 1.5" Allen Bolt



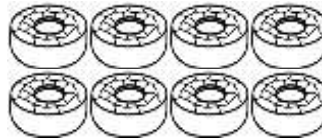
#6

12 Pcs 5/16 x 1.25" Button Bolt & Washer



#7

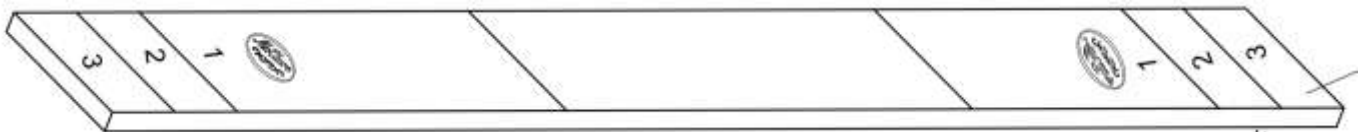
2 Pcs Rail Joint Trim



4 Red Pucks
4 Blue Pucks



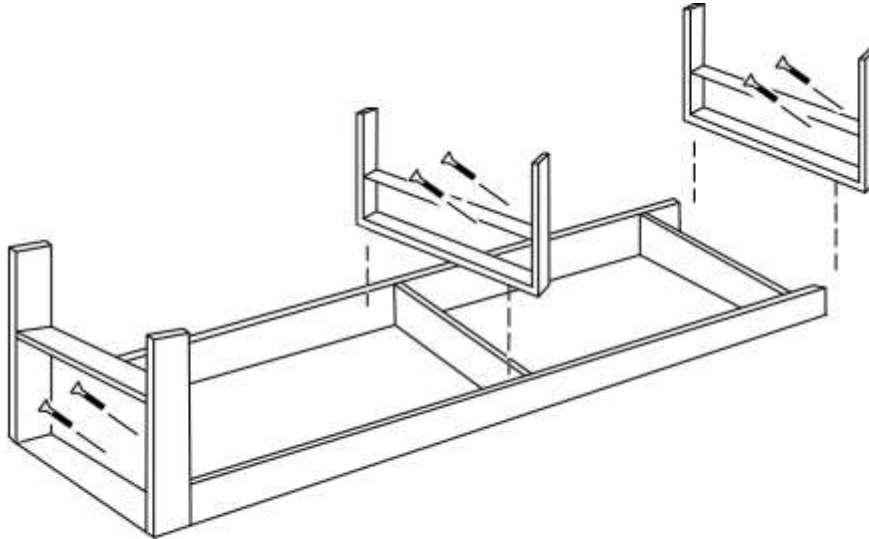
1 Pound Can of Wax



3" Playboard (Shipped in crate)

Assembly of the Legs and Cabinet

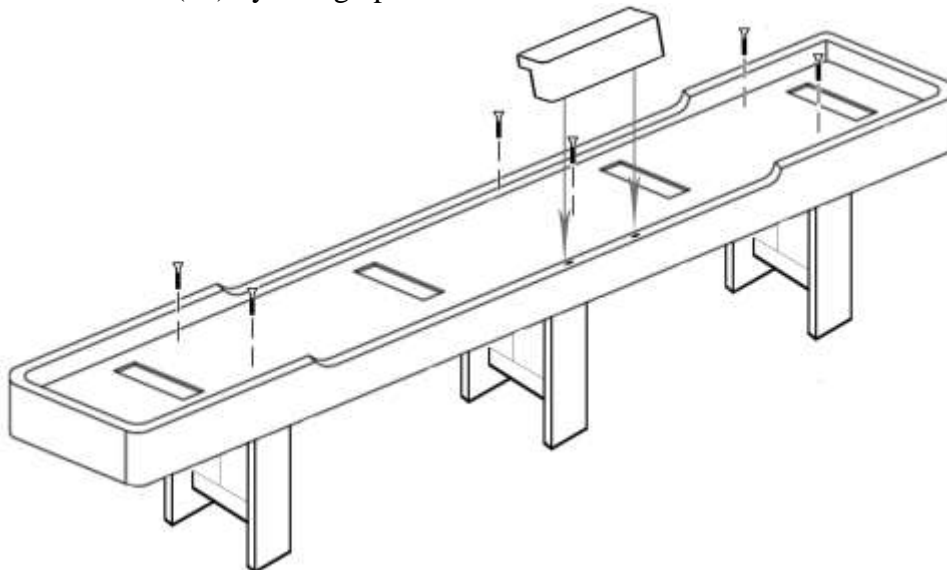
1. Attach the legs to the frame as shown below. Please make sure to lay down a blanket for protection or assemble the table on carpet.
2. Attach the legs to the frame with bolts. Start each bolt by hand before tightening.
 - a. Use 12 Button Bolts and Washers (#6) as shown.
 - b. Attach a Leg Leveler (#3) to each foot.



Place the Cabinet in Position

Lift the cabinet into the upright position and place in the location in the room where you would like the table. Take care not to put too much weight on the sides of the legs as you lift or roll the table over into the upright position.

1. Set cabinet on frame.
2. Attach cabinet to legs with 6 Allen Bolts (#5) as shown.
3. Place Rail Joint Trim (#7) by lining up dowels with the holes in side rail.



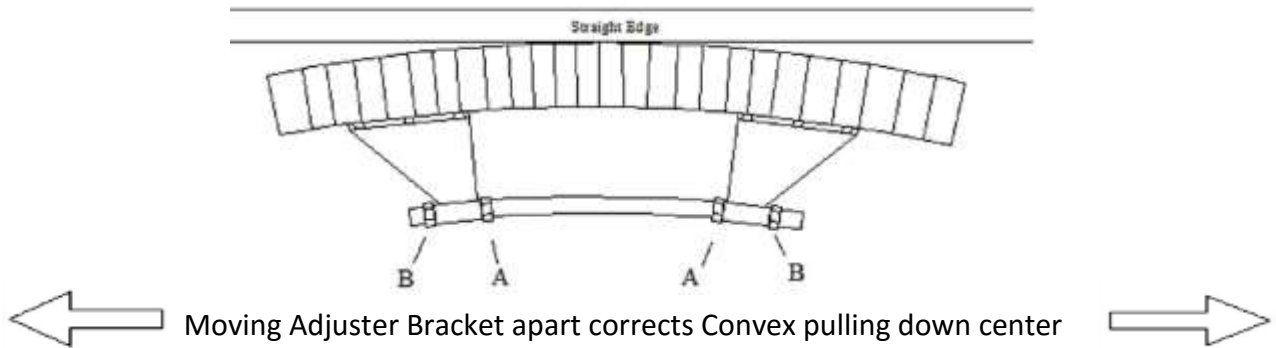
Leveling Tips and Maintenance Advice

1. Leveling the shuffleboard is best done with the drift of the pucks, not a level.
 - a. Adjust each end of the cabinet with the leg levelers slightly high so you have a sway or belly. This will keep the speed equal from end to end.
 - b. You have to judge if the drift of the puck is it going left to right because the table is low or is it the curve of the board. The best way to tell is to throw a puck down the right side trying to hug the rail, then the left side trying to hug the rail. If properly set, the puck at each end of the table should drift inward about 1-2 inches towards the center. This is a properly set concave board. If they fall off each outside edge the board is convex. If they drift inside on the right side but outside on the left side then your left leg is too low.

2. Prepare the board for play. The board was clean when it left our factory but still could have collected some dust in transit, so first use a multi-purpose surface cleaner or even a window cleaner and wipe off the dust on the surface of the table.
 - a. Silicone spray is not necessary but does speed up the board play. If you have purchased silicone spray with your table, apply a slight coat or mist then buff off with a soft cotton towel or rag.
 - b. Sprinkle a light coat of wax as even as possible, like a fresh snow fall.
 - c. Technically, you should play one game to 15 or 21 on one coat of wax. In tournament play the gullies collect a lot of wax. Players are allowed to throw dust from the gully before they shoot but may not re-wax the complete board until the end of the game.
 - d. After each game you should use a board sweep or brush to wipe the board clean and repeat the process.
 - e. If you use silicone spray it will only need to be applied before a big weekend game or tournament or once per month depending on play. After a period of time it may start to form build up. You should clean the board with a multi-purpose surface cleaner for polymer boards or we recommend Murphy's soap and water for traditional finish boards. Follow the instructions on the bottle and treat the board as any other fine piece of furniture.

3. Before they are prepared for packing and shipping, McClure Tables boards are set at the factory with a slight amount of tension on the climate adjusters towards the ends of the boards providing a slight concave or curve. That means the board is lower in the center more towards the end of the table. The pucks should break to the inside slightly.
 - a. 12-16 foot tables have four adjusters, and larger tables will have 6 to 8. When trying to adjust a board you should always start in the center and work towards the ends. The tension for concave should be greater towards the ends of the board as you want the puck to curve inside in the score zone but travel relatively flat in the center of the board.
 - b. It is best to not try to get it perfect the first day, let the board adjust to your climatic conditions a day or two then go back and fine tune the adjustments.

Convex Board



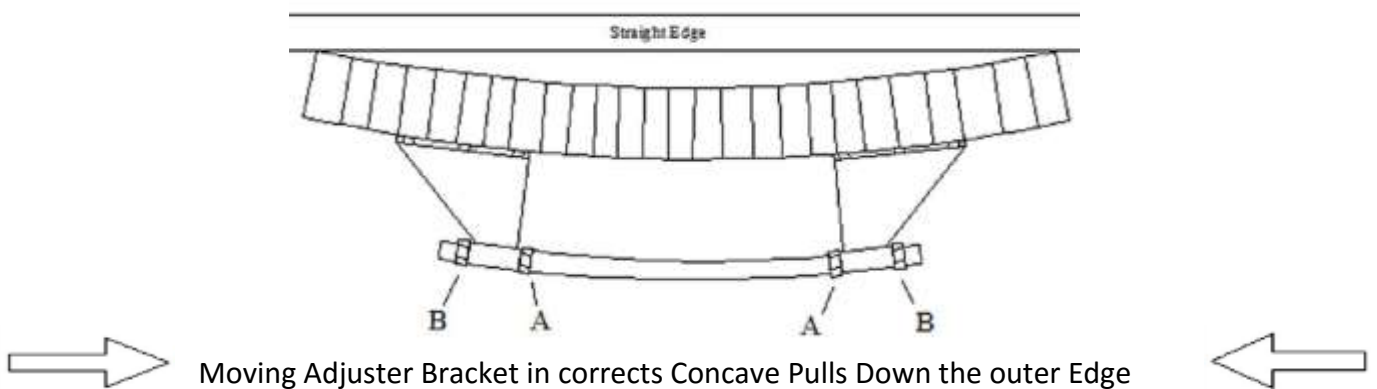
Moving Adjuster Bracket apart corrects Convex pulling down center

How to correct a Convex Board

(Note: Picture exaggerated for purposes of illustration)

- First, loosen Nut “B” completely.
- Second, using two wrenches on Nut “A” slowly turn towards the outside of the board. Be careful to do one or two turns at a time for a gradual uniform effect.
- Repeat this process a few times as necessary. An excessively convex board may need to be visited several days with a slight adjustment each day. Take care not to apply too much pressure, and if you hear any creaking of the board stop. Excessive pressure may crack a board, so please take care. When using a straight edge the board is flat when you cannot get a piece of paper under the center and the convex is gone when you cannot slide the paper under the sides.

Concave Board



Moving Adjuster Bracket in corrects Concave Pulls Down the outer Edge

How to correct a Concave Board

(Note: Picture exaggerated for purposes of illustration)

- First, loosen Nut “A” completely.
- Second, using two wrenches on Nut “B” slowly turn towards the inside of the board. Be careful to do only one or two turns at a time for a gradual uniform effect.
- It may not take any turns of Nut “B” as the board is usually set with tension on it and simply by loosen the inside Nut “A” a half turn or so you may get the desired effect. Then you can tighten the nuts “B” just to lock the brackets into place tightly pinched between nuts “A” and “B”.

Please note:

- **When trying to adjust a board you should always start in the center and work towards the ends.**
- **It is best to not try to get it perfect the first day, let the board adjust to your climatic conditions a day or two then go back and fine tune the adjustments.**