

Vicksberg Assembly Care and Maintenance Guide

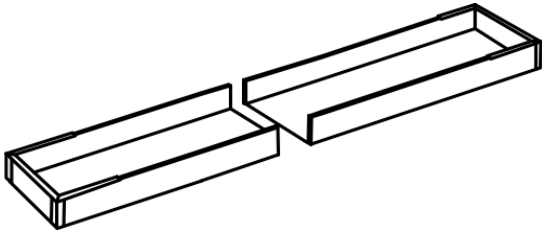


McClure Tables Handcrafted Shuffleboard Guide

- How to level and adjust the board
- Care and maintenance tips
- Warranty Information

- Installation Instructions
 - Tables can be heavy we recommend 2 to 4 or more people for larger tables
 - Recommend power drill for uncrate or remove packing material
 - Most other assembly can be done with hand tools
 - Level or straight edge can be helpful.

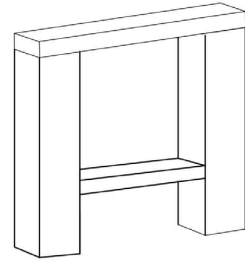
Vicksberg 14-18-foot Table Packing List



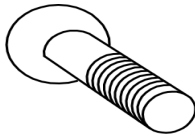
#1
2 Pcs Cabinet



#2
2 pcs Tight Joint
Connectors



#3
3 Legs



#4
12 Pcs 5/16 x 1.5"
Allen Bolt



#5
8 Pcs 5/16 x 1" Allen
Bolt and Washers



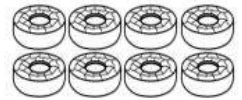
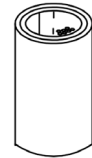
Pack of shims Leg
Levelers



#6
12 Pcs
1.5" long
5mm
Pocket
screws



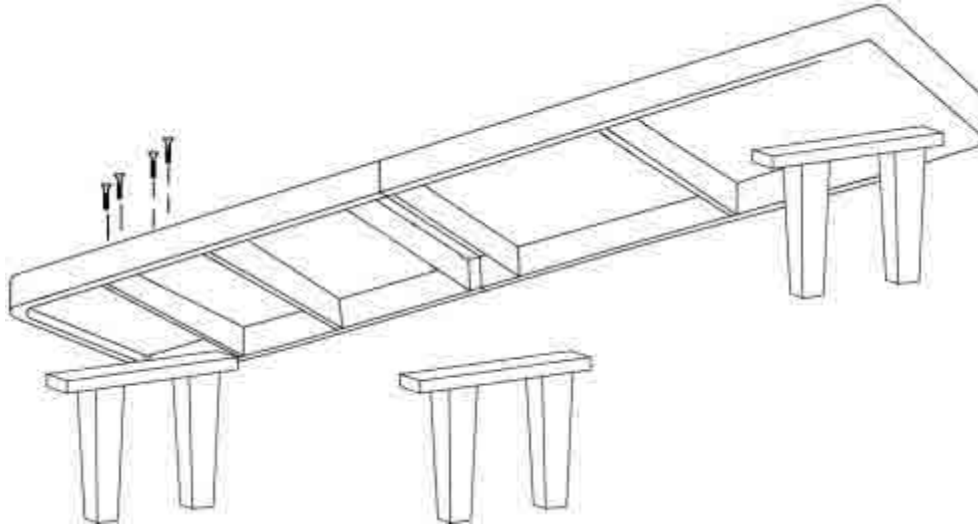
Pair of Connection Turnbuckle Rods and Brackets



1 Pound Can of Wax
4 Red Pucks
4 Blue Pucks

Assembly of the Legs and Cabinet

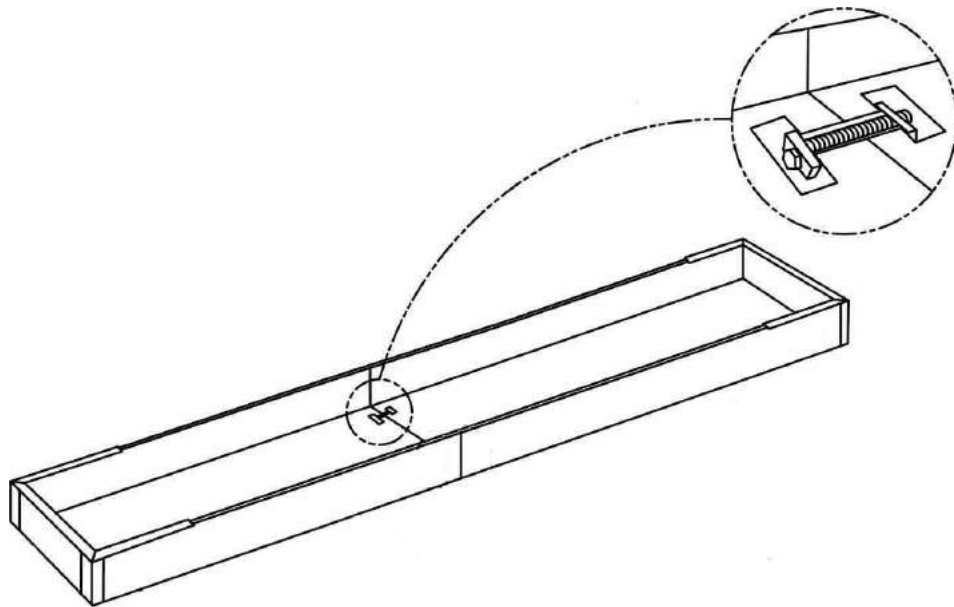
1. It may be easier to assemble the legs with the table upside down as shown below. Please make sure to lay down a blanket for protection or turn the table upside down on carpet.
2. Attach the legs with bolts and washers. Start each bolt by hand before tightening with a wrench.
 - a. Use 4 Bolts (#4) as shown.
 - b. It may help to put center leg on one half of the cabinet with just two bolts at first



Sometimes carpet tabs are hard to find use the bolt to push up from bottom side of cabinet once you get up lift to put in the bolt and tighten then put carpet back in place. Usually it is under the playboard but two tabs maybe at end of table



3. Next use Tight Joints #2 to connect two halves of cabinet together then attach final two bolt for the center legs. * Note if tight joint connectors are missing, they are only needed to push the two half's of the cabinet together if you have the cabinet secure they are not necessary



Assembly of the legs into cabinet

*After bolt legs in from the top through the carpet use Pocket screws #5 that will make the legs stronger and more stable.

1. On each end leg we have four pocket holes insert wood screw and screw into legs to hold Secure into place
1. Now attach turnbuckle with the slotted plate on the bottom of the leg as shown below and the plate with round holes for attach to bottom of legs using bolts and washers #5

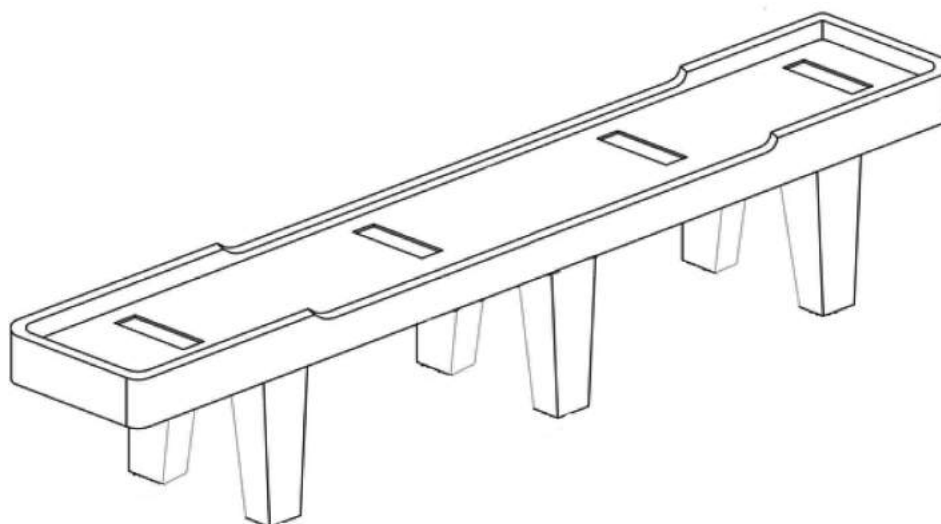


2. Now attach turnbuckle with the round hole plate on the bottom of the cabinet
Using two of bolts #4 and washers



Place the Cabinet in Position

Lift the cabinet into the upright position and place in the location in the room where you would like the table.



- After cabinet is in place use flat shims to place under the legs between the floor to level the table. You do not have to be too precise here once the weight of the board is in the cabinet if on carpet it may help to adjust. The ultimate test is the pucks sliding down the table.
- We suggest throw pucks right down the middle of the board as the board is adjusted from the factory cupped or concave. Find out if the puck is drifting to one side or the other and adjust that side up with shims or adjusters if your model table has leg levelers.
- See maintenance instructions for how to adjust the climate adjusters and keep in mind the nuts are tight you will not be able to break loose with an adjustable wrench you will need two 15/16" wrenches to adjust your table climatic adjusters. * see instructions in maintenance pamphlet for further instructions.

Assembly of the Play-board into Cabinet

*The weight of the play-board can be quite heavy, so we suggest 2 to 4 people.

2. On smaller boards or if you have plenty of help then you can follow Method A below.

*Place board onto the cabinet. Be sure to lift the board high enough so that the climate adjusters do not hit the cabinet.

=

3. When working with larger boards or if you only have two people, we suggest following Method B below.

*Place blankets or moving pads draped over one side of the cabinet and two pucks upside down on each end of the cabinet about 2" from where the end of the board is. Do not place them too far inside.

*Roll the board over upside down and rest half on the blanket and side of the cabinet.

*Roll the board on its edge inside the cabinet and carefully remove the blanket.

*Roll the board over right side up and rest it on the pucks.

*Have one person go under the table, and using the brackets as bars, bench press the end of the board while the other person removes the pucks.

